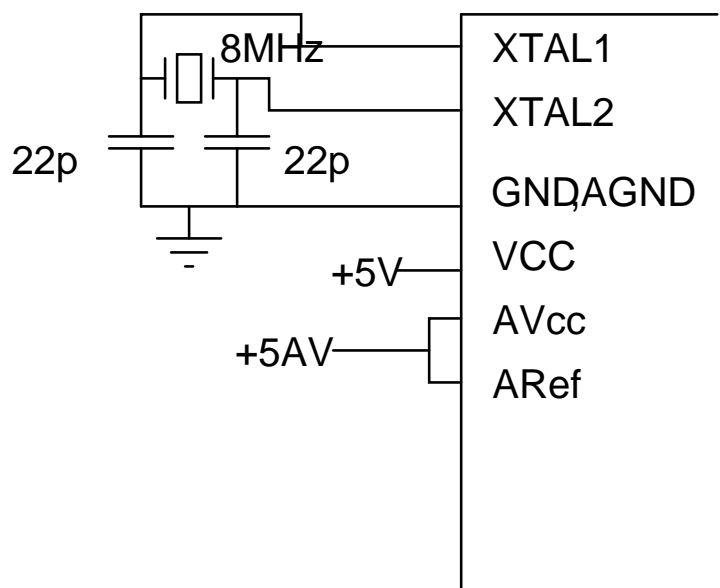
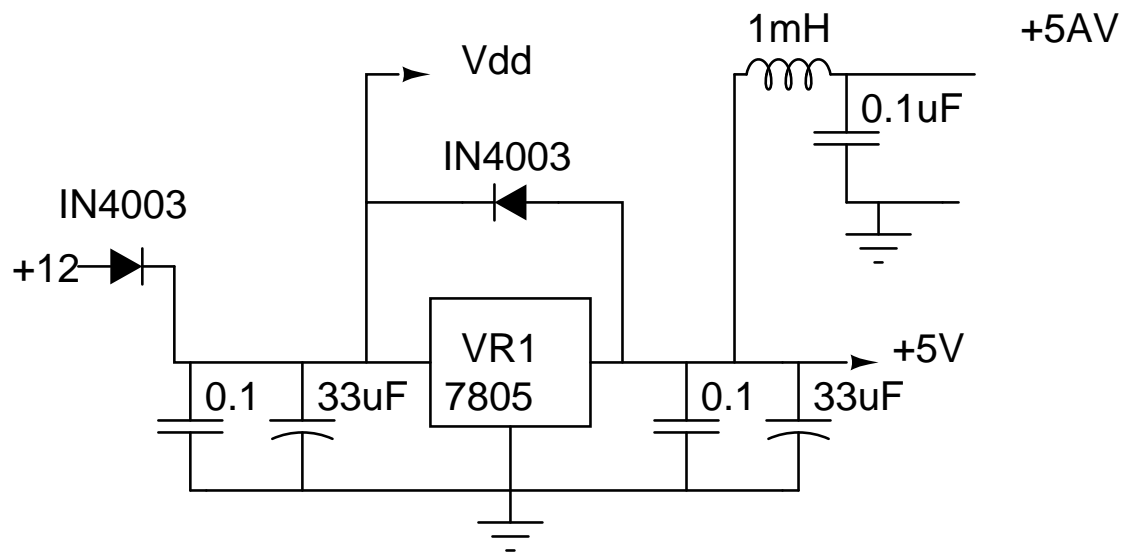


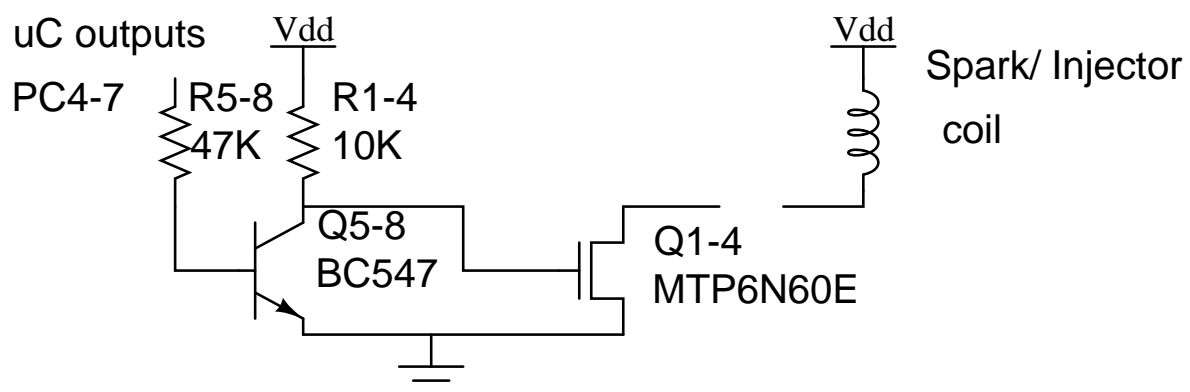
Atmel AT90S8535



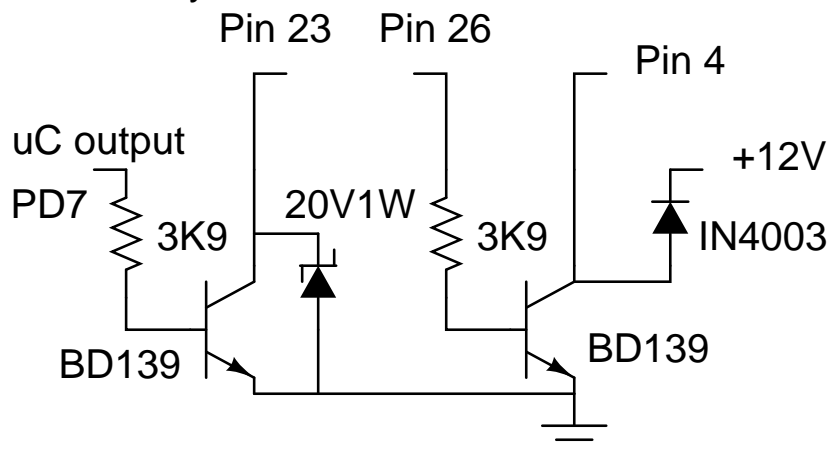
Power Supply



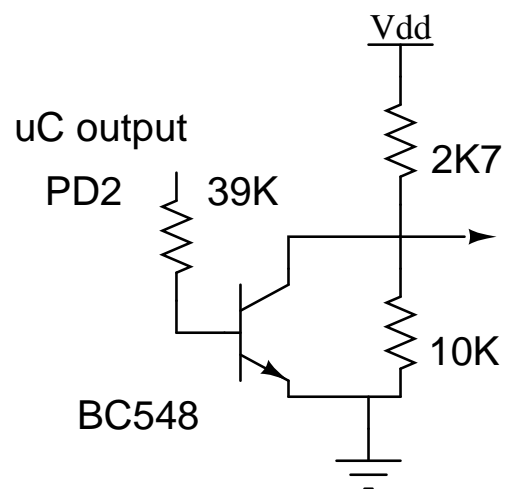
The coil driver circuit - 1 of 4



Relay Interface



Tacho drive



Engine Phonic wheel interface

